

This catalog covers:
FD750D-□S02

GRID NO. This grid covers:
A-01 TITLE

PARTS CATALOG

4-STROKE ENGINE

FD750D

PRODUCT CODE	NOTE
FD750D-CS02	STD
FD750D-DS02	
FD750D-ES02	
FD750D-FS02	
FD750D-GS02	

PARTS CATALOG INTRODUCTION

This parts catalog lists parts and sub-assemblies provided as service parts. When it becomes necessary to replace parts, always use KAWASAKI GENUINE PARTS which have passed strict inspection which guarantees quality and performance.

1. HOW TO ORDER PARTS

- When ordering the parts, be sure to use the parts catalog corresponding to the product code. Check the product revision codes on the product and the catalog.
 Product Code (example) : FA130D-AA00
 Product Revision Code
- Specify the part code (all digits) exactly as listed in this catalog on your parts order.
- The parts not shown in the illustrations of this catalog are not sold separately; only the complete units or next higher assemblies illustrated are supplied as the service parts.

2. EXPLANATION OF PARTS CATALOG FORMAT

Ref. No.	Part No.	Description	Quantity	
			A	B
11004	11004-7001	GASKET-HEAD	2	2
11008	11008-7001	HEAD-COMP-CYLINDER#1	1	1
11008A	11008-7002	HEAD-COMP-CYLINDER#2	1	1
11022	11022-7001	CASE-ROCKER	2	2
11060	11060-7001	GASKET,ROCKER CASE	2	2
11060A	11060-7008	GASKET,CRANKCASE COVER	1	1
11060B	11060-7015	GASKET,BREATHER	1	1
13271	13271-7016	PLATE	1	1
13271A	13271-7016	PLATE	1	1
14690	14690-7001	COVER,BREATHER	1	1
49015	49015-6215	COVER,CRANKCASE	1	1
49109	49109-7002	ELEMENT-BREATHER	1	1
49120	49120-6119	CRANKCASE-COMP	1	1
92033	92033-7003	RING-SNAP	2	2
92043	92043-7001	PIN	6	6
92049	92049-7001	SEAL-OIL	4	4
92049A	92049-7002	SEAL-OIL	1	1
92049B	92049-7004	SEAL-OIL	1	1
92049C	92049-7005	SEAL-OIL	1	1
130	130B0612	BOLT-FLANGED	4	4
130A	130B0640	BOLT-FLANGED	4	4
130B	130T0850	BOLT-FLANGED	17	17
130C	130T0875	BOLT-FLANGED	2	2
172	172G0818	BOLT-STUD	4	4

1) Product Code

This code describes the product code covered by this catalog. The product revision code, which is a part of the product code, is omitted.

2) Part Group Title

This title is the representative name for the group of parts illustrated on the page.

3) Reference Number

The reference numbers are shown on the illustration and the list as the link between them.

4) Part Number

This is the key of your parts ordering. Three kinds of part number are used in this catalog.

- Structure 1
- Structure 2
- Standard Hardware Number (for bolts, nuts, washer, or the like)

5) Description and Additional Information

The part name, the location, the size, and the serial number as additional information, etc. are described here. Use them to find out and check the part required.

When a part number is changed without change of the product revision code and the changed parts are not interchangeable, the serial number of the product is noted as follows;

- (FA130 - 100001) : Affected units are from beginning of the product of the product code up to and including this serial number.
- (FA130 - 100002 -) : Affected units are from this serial number and above.
- (FA130 - 100002 - FA130 - 110001) : Affected units are in this serial number range.

6) Quantity

The figure shows quantity of the part required at the indicated position on the illustration and for the specified product revision code.

The asterisk (*) on this column means the part can be used as the substitute on the product and is supplied until the stock is exhausted.

Note:Some small parts will be supplied by units.

Example: If six (6) bolts are ordered and the minimum quantity per unit is five (5), two (2), units of the bolt will be delivered.

7) Product Revision Code

This Code indicates an important change which affects the service parts interchangeability.

3. ABBREVIATIONS

#.....Number	FR.....Front	RH.....Right Hand
&.....And	G.....Gram	RPM.....Revolutions Per Minute
(+).....Plus	HEX.....Hexagonal	RR.....Rear
(-).....Minus	ID=.....Inside Diameter	STD.....Standard
2ND.....Second	IN.....Inch	T.....Teeth
3RD.....Third	L=.....Length	T=.....Thickness
4TH.....Fourth	LH.....Left Hand	U/S.....Under Size
A.....Ampere	LWR.....Lower	UPP.....Upper
AR.....As Required	MM.....Millimeter	V.....Volt
ASSY.....Assembly	O/S.....Over Size	W.....Watt
CNT.....Center	OD=.....Outside Diameter	
COMP.....Complete	REF.....Reference	

This catalog covers:

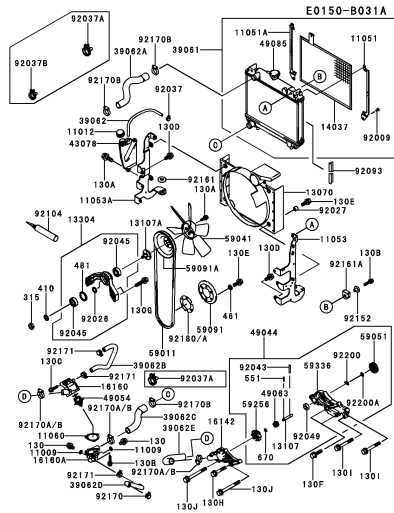
FD750D- S02

GRID NO.

B-02

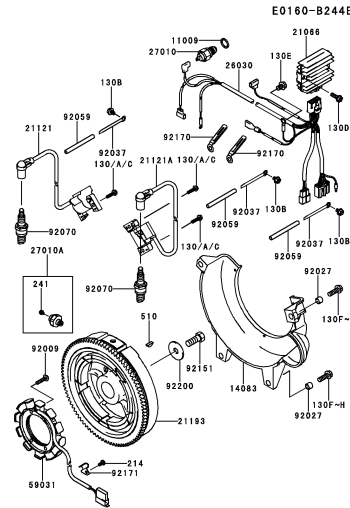
This grid covers:

PICTORIAL INDEX



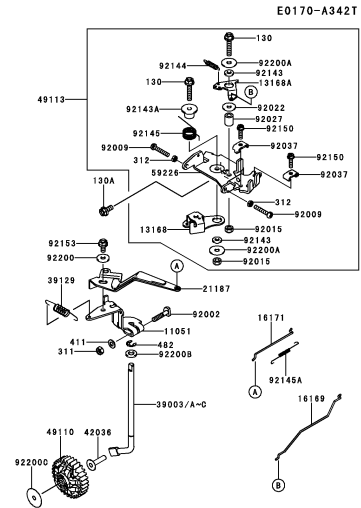
B-09

COOLING-EQUIPMENT



B-10

ELECTRIC-EQUIPMENT



B-11

CONTROL-EQUIPMENT

This catalog covers:

FD750D- □ S02

GRID NO.

D-01

This grid covers:

PICTORIAL INDEX

F0290-B450C

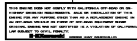
56070



56033



56071/A



56080



D-03

LABEL

This catalog covers:

FD750D- S02

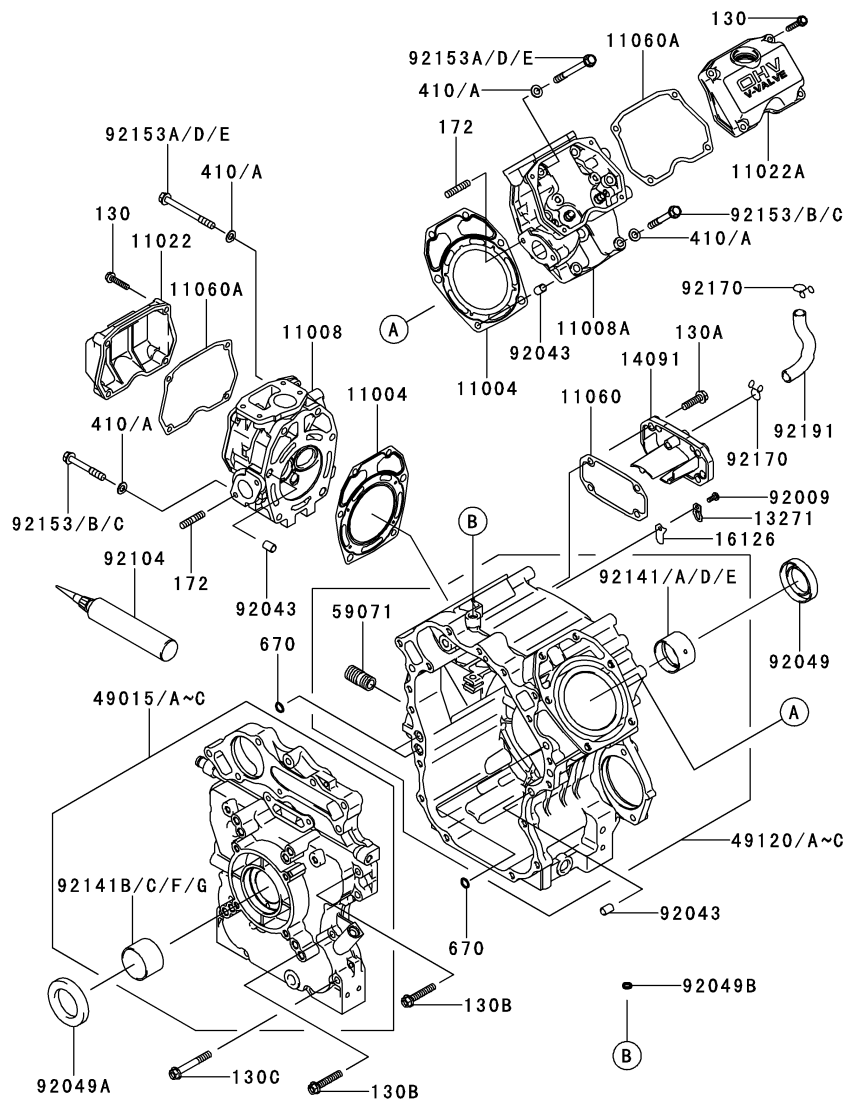
GRID NO.

B-03

This grid covers:

CYLINDER/CRANKCASE

E0110-A688A



Ref. No.	Part No.	Description	Quantity				
			C	D	E	F	G
11004	11004-2142	GASKET-HEAD	2	2	2	2	2
11008	11008-2145	HEAD-COMP-CYLINDER	1	1	1	1	1
11008A	11008-2146	HEAD-COMP-CYLINDER	1	1	1	1	1
11022	11022-2072	CASE-ROCKER	1	1	1	1	1
11022A	11022-2073	CASE-ROCKER	1	1	1	1	1
11060	11060-2466	GASKET,BREATH	1	1	1	1	1
11060A	11060-2470	GASKET,ROCKER CASE	2	2	2	2	2
13271	13271-2105	PLATE	2	2	2	2	2
14091	14091-2064	COVER,BREATH	1	1	1	1	1
16126	16126-2225	VALVE,BREATH	2	2	2	2	2
49015	49015-6232	COVER-CRANKCASE	1				
49015A	49015-6232	COVER-CRANKCASE		*			
49015B	49015-6292	COVER-CRANKCASE			1	1	1
49015C	49015-6292	COVER-CRANKCASE		1			
49120	49120-6134	CRANKCASE-COMP	1				
49120A	49120-6134	CRANKCASE-COMP		*			
49120B	49120-6180	CRANKCASE-COMP			1	1	1
49120C	49120-6180	CRANKCASE-COMP		1			
59071	59071-2079	JOINT	1	1	1	1	1
92009	92009-2308	SCREW	2	2	2	2	2
92043	92043-1037	PIN	6	6	6	6	6
92049	92049-2242	SEAL-OIL,ISD 38X58X11 AE	1	1	1	1	1
92049A	92049-2243	SEAL-OIL,ISD 42X65X9 AE	1	1	1	1	1
92049B	92049-2255	SEAL-OIL,VC 8X12X2.5	1	1	1	1	1
92104	92104-2068	GASKET-LIQUID,TB1207B	1	1	1	1	1
92141	92141-2118	BEARING-PLANE	1				
92141A	92141-2118	BEARING-PLANE		*			
92141B	92141-2119	BEARING-PLANE	1				
92141C	92141-2119	BEARING-PLANE		*			
92141D	92141-2123	BEARING-PLANE			1	1	1
92141E	92141-2123	BEARING-PLANE		1			
92141F	92141-2124	BEARING-PLANE			1	1	1
92141G	92141-2124	BEARING-PLANE		1			
92153	92153-2060	BOLT,8X60	*				
92153A	92153-2061	BOLT,8X85	*				
92153B	92153-2131	BOLT,8X60		4	4	4	4
92153C	92153-2131	BOLT,8X60	4				
92153D	92153-2132	BOLT,8X85		8	8	8	8
92153E	92153-2132	BOLT,8X85	8				

This catalog covers:

FD750D- S02

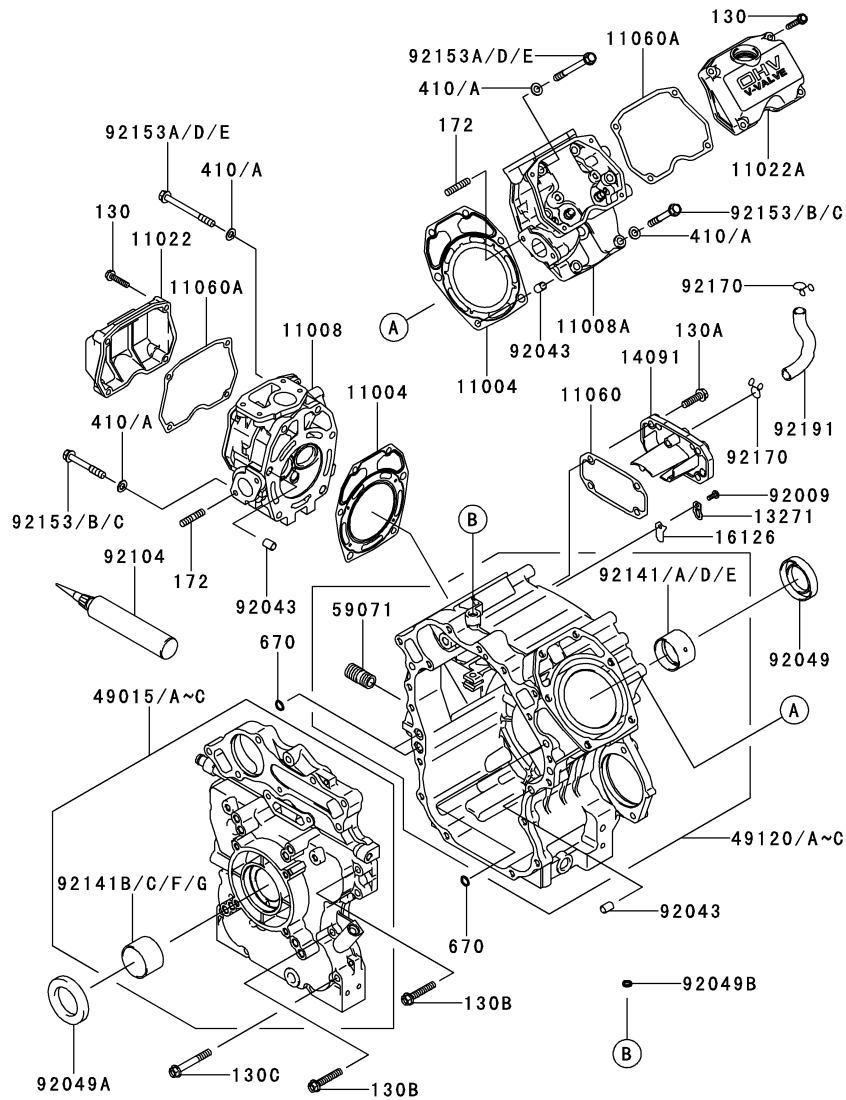
GRID NO.

B-04

This grid covers:

CYLINDER/CRANKCASE

E0110-A688A



Ref. No.	Part No.	Description	Quantity				
			C	D	E	F	G
92170	92170-2002	CLAMP	2	2	2	2	2
92191	92191-2105	TUBE	1	1	1	1	1
130	130BA0630	BOLT-FLANGED,6X30	8	8	8	8	8
130A	130BA0830	BOLT-FLANGED,8X30	4	4	4	4	4
130B	130BA0845	BOLT-FLANGED,8X45	6	6	6	6	6
130C	130BA0860	BOLT-FLANGED,8X60	4	4	4	4	4
172	172BA0822	BOLT-STUD,8X22	4	4	4	4	4
410	410B0800	W-PLAIN-S,8MM	12	12	12	12	12
410A	410B0800	W-PLAIN-S,8MM	12				
670	670B2011	(FD750-060582 - O RING,11MM)	3	3	3	3	3

This catalog covers:

FD750D- **S02**

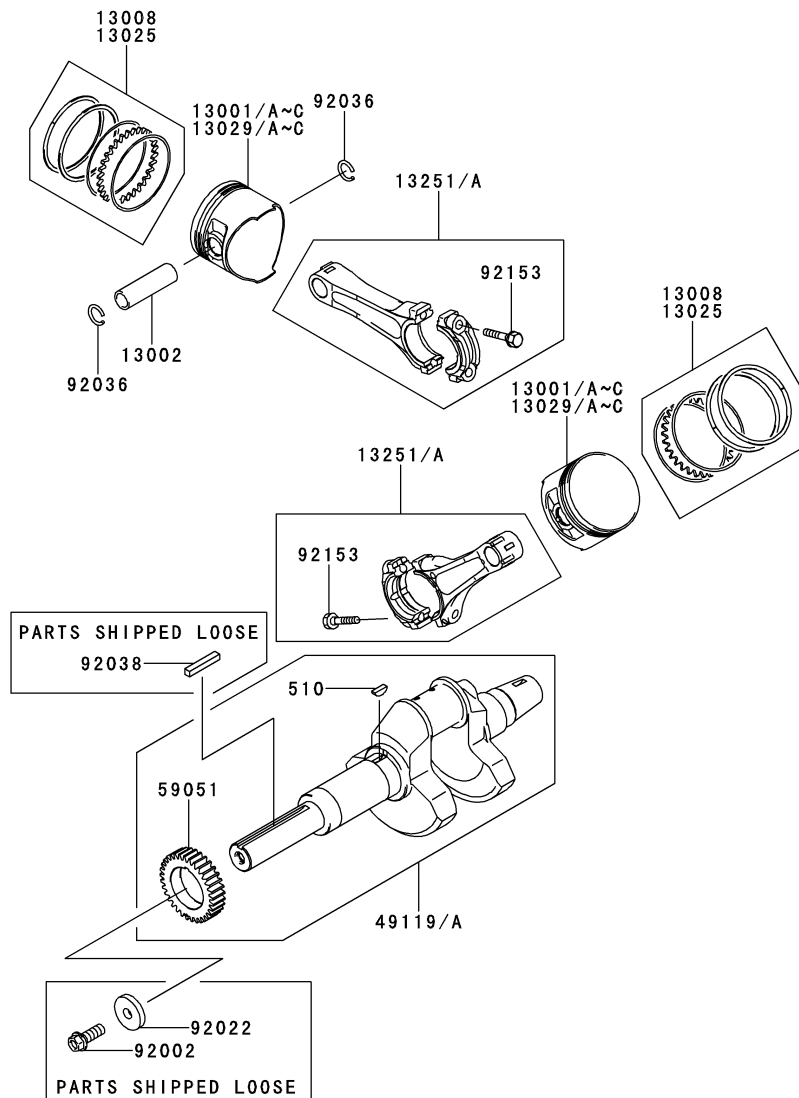
GRID NO.

B-05

This grid covers:

PISTON/CRANKSHAFT

E0120-A176L



Ref. No.	Part No.	Description	Quantity					
			C	D	E	F	G	
13001	13001-2125	PISTON-ENGINE	2					
13001A	13001-2125	PISTON-ENGINE		*				
13001B	13001-2178	PISTON-ENGINE			2	2	2	
13001C	13001-2178	PISTON-ENGINE			2			
13002	13002-2069	PIN-PISTON	2	2	2	2	2	
13008	13008-6007	RING-SET-PISTON	2	2	2	2	2	
13025	13025-2074	RING-SET-PISTON L,0.50	AR	AR	AR	AR	AR	
13029	13029-2101	PISTON-ENGINE L,0.50	AR					
13029A	13029-2101	PISTON-ENGINE L,0.50		*				
13029B	13029-2128	PISTON-ENGINE L,0.50			AR	AR	AR	
13029C	13029-2128	PISTON-ENGINE L,0.50		AR				
13251	13251-2058	ROD-ASSY-CONNECTING	2	2				
13251A	13251-2084	ROD-ASSY-CONNECTING			2	2	2	
49119	49119-2226	CRANKSHAFT-ASSY	1	1				
49119A	49119-2246	CRANKSHAFT-ASSY			1	1	1	
59051	59051-2358	GEAR-SPUR,33T	1	1	1	1	1	
92002	92002-2263	BOLT,10X28	1	1	1	1	1	
92022	92022-2194	WASHER	1	1	1	1	1	
92036	92036-008	RING-SNAP	4	4	4	4	4	
92038	92038-2101	KEY	1	1	1	1	1	
92153	92153-2054	BOLT,7X35.2	4	4	4	4	4	
510	510A5100	KEY-WOODRUFF	1	1	1	1	1	

This catalog covers:

FD750D- □ S02

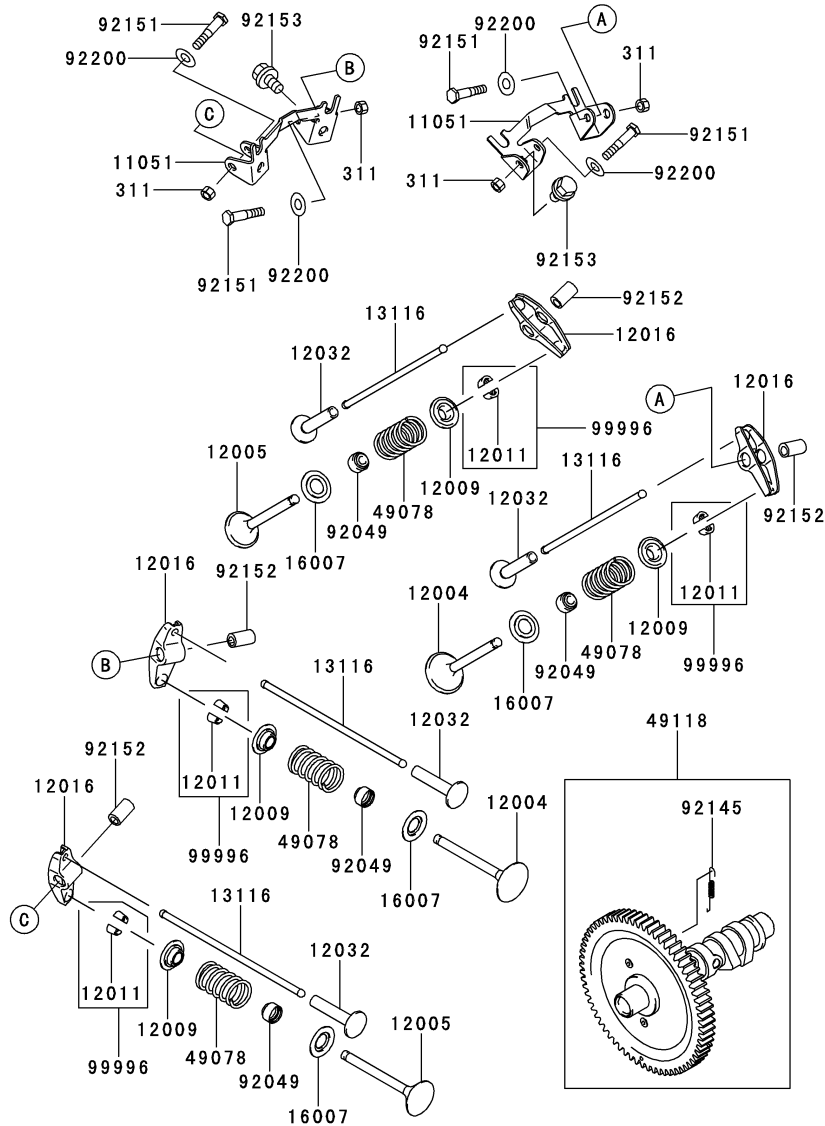
GRID NO.

B-06

This grid covers:

VALVE/CAMSHAFT

E0130-A099F



Ref. No.	Part No.	Description	Quantity				
			C	D	E	F	G
11051	11051-2092	BRACKET	2	2	2	2	2
12004	12004-2113	VALVE-INTAKE	2	2	2	2	2
12005	12005-2100	VALVE-EXHAUST	2	2	2	2	2
12009	12009-2060	RETAINER-VALVE SPRING	4	4	4	4	4
12011	12011-2052	COLLET	8	8	8	8	8
12016	12016-2066	ARM-ROCKER	4	4	4	4	4
12032	12032-2060	TAPPET	4	4	4	4	4
13116	13116-2074	ROD-PUSH	4	4	4	4	4
16007	16007-2052	SEAT-SPRING	4	4	4	4	4
49078	49078-2060	SPRING-ENGINE VALVE	4	4	4	4	4
49118	49118-2138	CAMSHAFT-COMP	1	1	1	1	1
92049	92049-2100	SEAL-OIL, VSB 7X12X5.5X9.7	4	4	4	4	4
92145	92145-2085	SPRING	1	1	1	1	1
92151	92151-2165	BOLT, M6	4	4	4	4	4
92152	92152-2077	COLLAR	4	4	4	4	4
92153	92153-2062	BOLT, 8X14	4	4	4	4	4
92200	92200-2151	WASHER, 8.1X18X0.5	4	4	4	4	4
99996	99996-2077	KIT, COLLET	4	4	4	4	4
311	311AA0600	NUT-HEX, 6MM	4	4	4	4	4

This catalog covers:

FD750D- □ S02

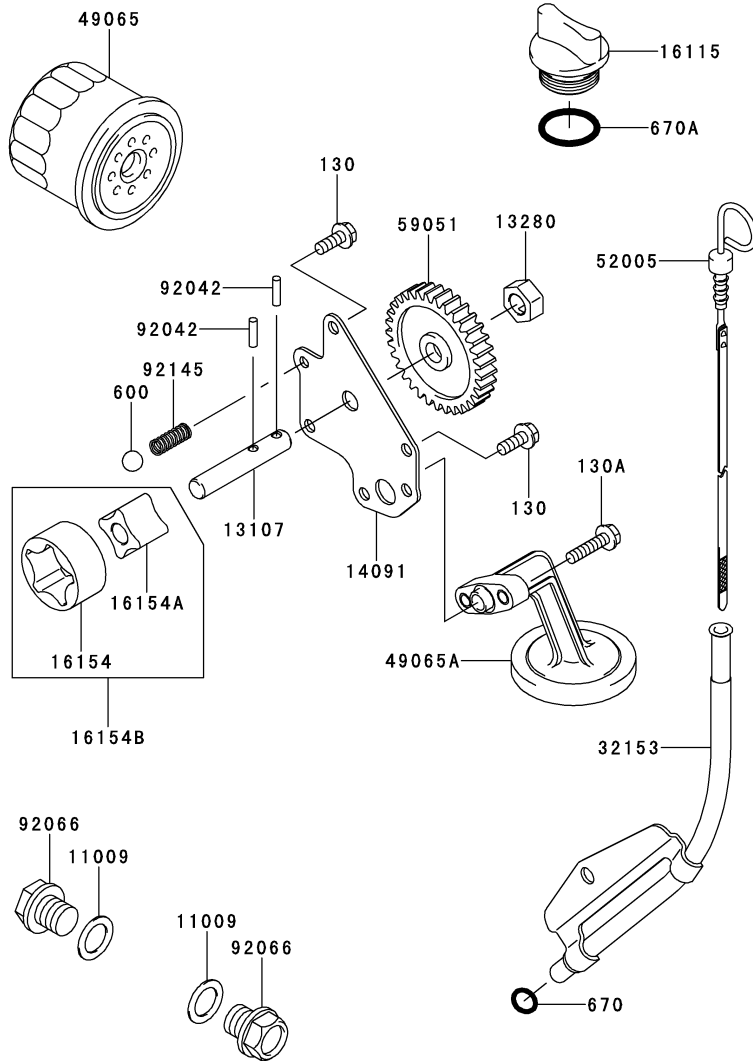
GRID NO.

B-07

This grid covers:

LUBRICATION-EQUIPMENT

E0140-A177B

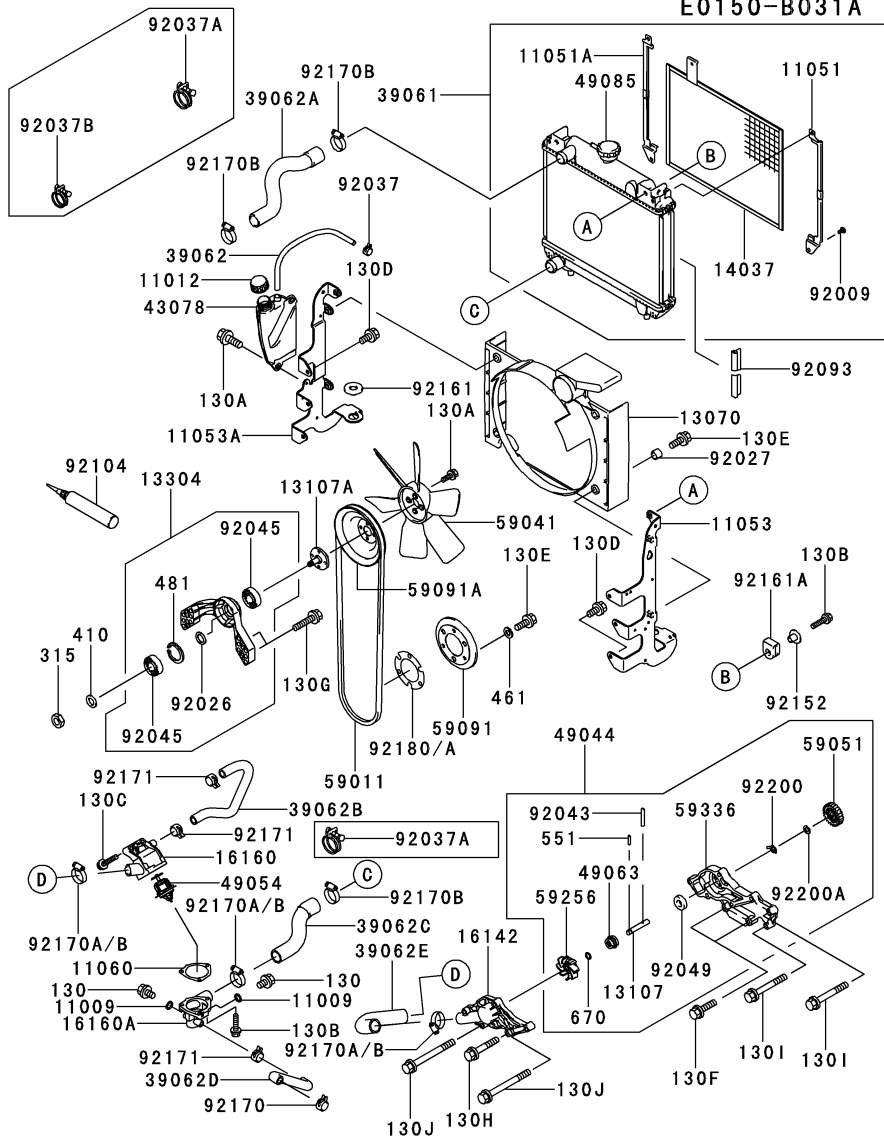


Ref. No.	Part No.	Description	Quantity				
			C	D	E	F	G
11009	11009-2566	GASKET,DRAIN PLUG	2	2	2	2	2
13107	13107-2281	SHAFT,OIL PUMP	1	1	1	1	1
13280	13280-2061	HOLDER,OIL PUMP	1	1	1	1	1
14091	14091-2065	COVER,OIL PUMP	1	1	1	1	1
16115	16115-2126	CAP-OIL FILLER	1	1	1	1	1
16154	16154-1075	ROTOR-PUMP,OUTER	1	1	1	1	1
16154A	16154-1076	ROTOR-PUMP,INNER	1	1	1	1	1
16154B	16154-1079	ROTOR-PUMP	1	1	1	1	1
32153	32153-2076-9H	PIPE,OIL GAUGE	1	1	1	1	1
49065	49065-2071	FILTER-OIL	1	1	1	1	1
49065A	49065-2082	FILTER-OIL	1	1	1	1	1
52005	52005-2132	GAUGE,OIL	1	1	1	1	1
59051	59051-2354	GEAR-SPUR,33T	1	1	1	1	1
92042	92042-014	PIN	2	2	2	2	2
92066	92066-2099	PLUG,DRAIN	2	2	2	2	2
92145	92145-2132	SPRING	1	1	1	1	1
130	130BA0616	BOLT-FLANGED,6X16	3	3	3	3	3
130A	130BA0625	BOLT-FLANGED,6X25	2	2	2	2	2
600	600A1300	BALL-STEEL,13/32"	1	1	1	1	1
670	670B2010	O RING,10MM	1	1	1	1	1
670A	670B3025	O RING,25MM	1	1	1	1	1

This catalog covers:
FD750D- □ S02

GRID NO. This grid covers:
B-08 COOLING-EQUIPMENT

E0150-B031A



Ref. No.	Part No.	Description	Quantity				
			C	D	E	F	G
11009	11009-3028	GASKET,8.2X12X1	2	2	2	2	2
11012	11012-1084	CAP	1	1	1	1	1
11051	11051-2103	BRACKET,SCREEN	1	1	1	1	1
11051A	11051-2104	BRACKET,SCREEN	1	1	1	1	1
11053	11053-2109-9H	BRACKET,LH	1	1	1	1	1
11053A	11053-2110-9H	BRACKET,RH	1	1	1	1	1
11060	11060-2475	GASKET,THERMOSTAT	1	1	1	1	1
13070	13070-2106	GUIDE,FAN	1	1	1	1	1
13107	13107-2097	SHAFT,IMPELLER	1	1	1	1	1
13107A	13107-2246	SHAFT,PULLEY	1	1	1	1	1
13304	13304-6010	HOUSING-ASSY	1	1	1	1	1
14037	14037-2142	SCREEN	1	1	1	1	1
16142	16142-2077	COVER-PUMP	1	1	1	1	1
16160	16160-2139	BODY,UPP	1	1	1	1	1
16160A	16160-6001	BODY,VALVE	1	1	1	1	1
39061	39061-2065	RADIATOR-ASSY	1	1	1	1	1
39062	39062-2086	HOSE-COOLING,7.5X10.5X385	1	1	1	1	1
39062A	39062-2097	HOSE-COOLING	1	1	1	1	1
39062B	39062-2098	HOSE-COOLING	1	1	1	1	1
39062C	39062-2099	HOSE-COOLING	1	1	1	1	1
39062D	39062-2100	HOSE-COOLING	1	1	1	1	1
39062E	39062-2101	HOSE-COOLING	1	1	1	1	1
43078	43078-2055	RESERVOIR	1	1	1	1	1
49044	49044-2067	PUMP-WATER	1	1	1	1	1
49054	49054-2058	THERMOSTAT	1	1	1	1	1
49063	49063-1056	SEAL-MECHANICAL	1	1	1	1	1
49085	49085-2052	CAP-ASSY-PRESSURE	1	1	1	1	1
59011	59011-2056	BELT,FAN	1	1	1	1	1
59041	59041-2092	FAN	1	1	1	1	1
59051	59051-2355	GEAR-SPUR,25T	1	1	1	1	1
59091	59091-2054	PULLEY	1	1	1	1	1
59091A	59091-2055-9H	PULLEY	1	1	1	1	1
59256	59256-2069	IMPELLER	1	1	1	1	1
59336	59336-2078	CASE-PUMP	1	1	1	1	1
92009	92009-2460	SCREW	4	4	4	4	4
92026	92026-2311	SPACER,12X18X1.4	1	1	1	1	1
92027	92027-1568	COLLAR,8.3X11.5X9	4	4	4	4	4
92037	92037-2001	CLAMP	1	1	1	1	1
92037A	92037-2089	CLAMP	2				

(FD750-059813)

This catalog covers:

FD750D- □ S02

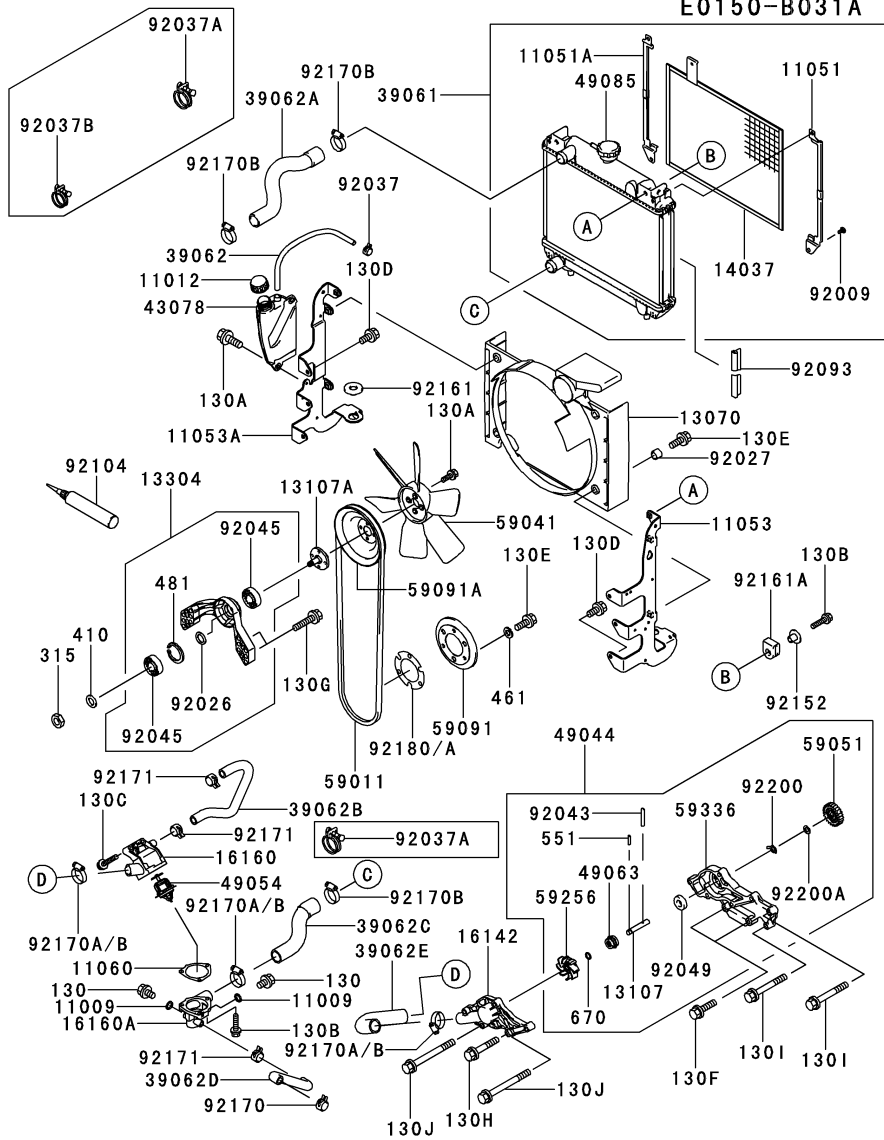
GRID NO.

B-09

This grid covers:

COOLING-EQUIPMENT

E0150-B031A



Ref. No.	Part No.	Description	Quantity				
			C	D	E	F	G
92037B	92037-2210	CLAMP	1				
	(
		FD750-059813)					
92043	92043-2237	PIN	1	1	1	1	1
92045	92045-2191	BEARING-BALL,6001DDUC3	2	2	2	2	2
92049	92049-2111	SEAL-OIL	1	1	1	1	1
92093	92093-2114	SEAL	2	2	2	2	2
92104	92104-2068	GASKET-LIQUID,TB1207B		1	1	1	1
92152	92152-2075	COLLAR	2	2	2	2	2
92161	92161-2053	DAMPER,RADIATOR,LWR	2	2	2	2	2
92161A	92161-2054	DAMPER,RADIATOR,UPP	2	2	2	2	2
92170	92170-1283	CLAMP	1	1	1	1	1
92170A	92170-1284	CLAMP	3				
	(
		FD750-059813)					
92170B	92170-1284	CLAMP	6	6	6	6	6
	(
		FD750-059814 -					
)					
92171	92171-2056	CLAMP	3	3	3	3	3
92180	92180-2013	SHIM,T=0.6	AR	AR	AR	AR	AR
92180A	92180-2014	SHIM,T=1.2	AR	AR	AR	AR	AR
92200	92200-2134	WASHER	1	1	1	1	1
92200A	92200-2135	WASHER,10.2X19X0.8	1	1	1	1	1
130	130AB0812	BOLT-FLANGED,8X12	2	2	2	2	2
130A	130BA0616	BOLT-FLANGED,6X16	6	6	6	6	6
130B	130BA0625	BOLT-FLANGED,6X25	5	5	5	5	5
130C	130BA0635	BOLT-FLANGED,6X35	2	2	2	2	2
130D	130BA0816	BOLT-FLANGED,8X16	4	4	4	4	4
130E	130BA0820	BOLT-FLANGED,8X20	7	7	7	7	7
130F	130BA0830	BOLT-FLANGED,8X30	2	2	2	2	2
130G	130BA0835	BOLT-FLANGED,8X35	4	4	4	4	4
130H	130BA0845	BOLT-FLANGED,8X45	1	1	1	1	1
130I	130BA0860	BOLT-FLANGED,8X60	2	2	2	2	2
130J	130BA0880	BOLT-FLANGED,8X80	4	4	4	4	4
315	315AA1000	NUT-HEX-FINE,10MM	1	1	1	1	1
410	410AA1000	WASHER-PLAIN-SMALL,10MM	1	1	1	1	1
461	461DA0800	WASHER-SPRING,8MM	3	3	3	3	3
481	481J2800	CIRCLIP,28MM	1	1	1	1	1
551	551A0314	PIN-DOWEL,3X14	1	1	1	1	1
670	670B1507	O RING,7MM	1	1	1	1	1

This catalog covers:

FD750D- □ S02

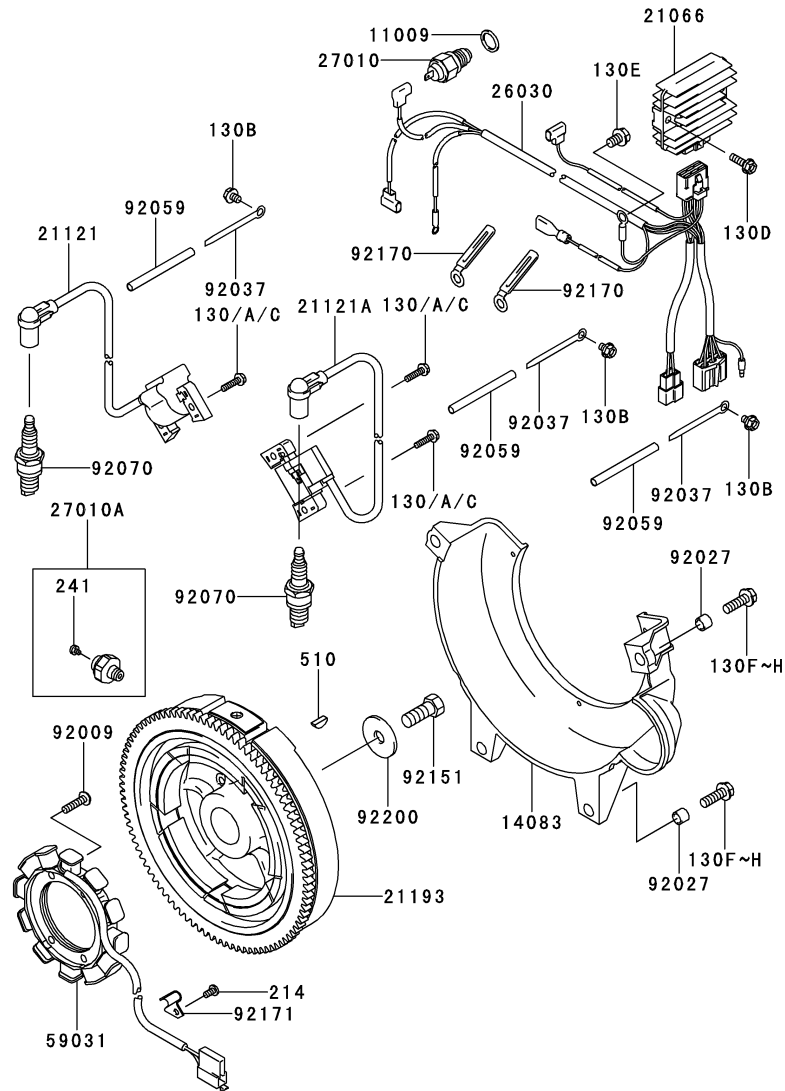
GRID NO.

B-10

This grid covers:

ELECTRIC-EQUIPMENT

E0160-B244E



Ref. No.	Part No.	Description	Quantity				
			C	D	E	F	G
11009	11009-2766	GASKET,16X21X2	1	1	1	1	1
14083	14083-2055	COVER-FLYWHEEL	1	1	1	1	1
21066	21066-2070	REGULATOR-VOLTAGE	1	1	1	1	1
21121	21121-2090	COIL-IGNITION,NO1	1	1	1	1	1
21121A	21121-2091	COIL-IGNITION,NO2	1	1	1	1	1
21193	21193-2187	FLYWHEEL-ASSY	1	1	1	1	1
26030	26030-2306	HARNESS	1	1	1	1	1
27010	27010-2182	SWITCH	1	1	1	1	1
27010A	27010-2234	SWITCH	1	1	1	1	1
59031	59031-2123	COIL-CHARGING	1	1	1	1	1
92009	92009-2273	SCREW,6X25	4	4	4	4	4
92027	92027-1568	COLLAR,8.3X11.5X9	4	4	4	4	4
92037	92037-2006	CLAMP	3	3	3	3	3
92059	92059-2011	TUBE,5X6X75	3	3	3	3	3
92070	92070-2110	PLUG-SPARK,BPR2ES(NGK),SOLID	2	2	2	2	2
92151	92151-2097	BOLT,12X30	1	1	1	1	1
92170	92170-2060	CLAMP	2	2	2	2	2
92171	92171-2060	CLAMP	1	1	1	1	1
92200	92200-2119	WASHER,12.2X40X3.0	1	1	1	1	1
130	130AA0520	BOLT-FLANGED,5X20	4	4	4	4	4
130A	130AA0520	BOLT-FLANGED,5X20	4				
130B	130AB0608	BOLT-FLANGED,6X8	3	3	3	3	3
130C	130BA0520	BOLT-FLANGED,5X20	*				
130D	130BA0620	BOLT-FLANGED,6X20	2	2	2	2	2
130E	130BA0812	BOLT-FLANGED,8X12	1	1	1	1	1
130F	130BA0825	BOLT-FLANGED,8X25		4	4	4	4
130G	130BA0825	BOLT-FLANGED,8X25	4				
130H	130G0825	BOLT-FLANGED,8X25	*				
214	214AA0510	SCREW-PAN+-,5X10	1	1	1	1	1
241	241AA0406	SCREW-PAN-WP+-,4X6	1	1	1	1	1
510	510A5100	KEY-WOODRUFF	1	1	1	1	1

This catalog covers:

FD750D- □ S02

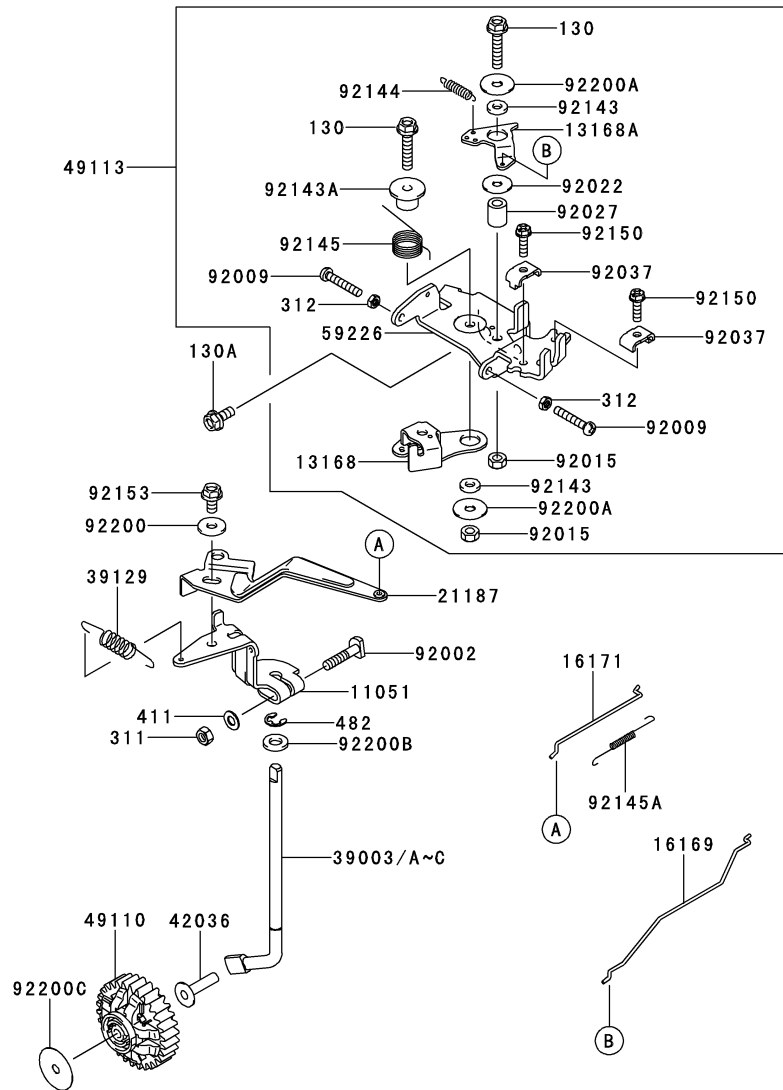
GRID NO.

B-11

This grid covers:

CONTROL-EQUIPMENT

E0170-A342T



Ref. No.	Part No.	Description	Quantity				
			C	D	E	F	G
11051	11051-2113	BRACKET	1	1	1	1	1
13168	13168-2466	LEVER,THROTTLE	1	1	1	1	1
13168A	13168-2467	LEVER,CHOKE	1	1	1	1	1
16169	16169-2142	LINK-CHOKE	1	1	1	1	1
16171	16171-2091	LINK	1	1	1	1	1
21187	21187-2076	ARM-ASSY	1	1	1	1	1
39003	39003-2091	ARM-PIVOT	1				
39003A	39003-2091	ARM-PIVOT		*			
39003B	39003-2103	ARM-PIVOT			1	1	1
39003C	39003-2103	ARM-PIVOT		1			
39129	39129-2099	SPRING-GOVERNOR	1	1	1	1	1
42036	42036-2060	SLEEVE	1	1	1	1	1
49110	49110-2094	GOVERNOR-ASSY	1	1	1	1	1
49113	49113-2170	PANEL-COMP-CONTROL	1	1	1	1	1
59226	59226-2328	PANEL-CONTROL	1	1	1	1	1
92002	92002-2269	BOLT,6X28	1	1	1	1	1
92009	92009-2381	SCREW,5X30	2	2	2	2	2
92015	92015-2051	NUT	2	2	2	2	2
92022	92022-2372	WASHER,6X19X1.2	1	1	1	1	1
92027	92027-1461	COLLAR	1	1	1	1	1
92037	92037-2209	CLAMP	2	2	2	2	2
92143	92143-2135	COLLAR,6X13X2.3	2	2	2	2	2
92143A	92143-2148	COLLAR	1	1	1	1	1
92144	92144-2052	SPRING	1	1	1	1	1
92145	92145-2058	SPRING	1	1	1	1	1
92145A	92145-2095	SPRING	1	1	1	1	1
92150	92150-2182	BOLT,5X18	2	2	2	2	2
92153	92153-0009	BOLT,6X12	1	1	1	1	1
92200	92200-2035	WASHER	1	1	1	1	1
92200A	92200-2108	WASHER,6.5X22X1.2	2	2	2	2	2
92200B	92200-2120	WASHER,8.3X16X2.3	1	1	1	1	1
92200C	92200-2152	WASHER,6.2X30X0.5	1	1	1	1	1
130	130AA0630	BOLT-FLANGED,6X30	2	2	2	2	2
130A	130BA0614	BOLT-FLANGED,6X14	2	2	2	2	2
311	311AA0600	NUT-HEX,6MM	1	1	1	1	1
312	312B0500	NUT-HEX,5MM	2	2	2	2	2
411	411AA0600	WASHER-PLAIN,6MM	1	1	1	1	1
482	482J7000	CIRCLIP-TYPE-E,7MM	1	1	1	1	1

This catalog covers:

FD750D- □ S02

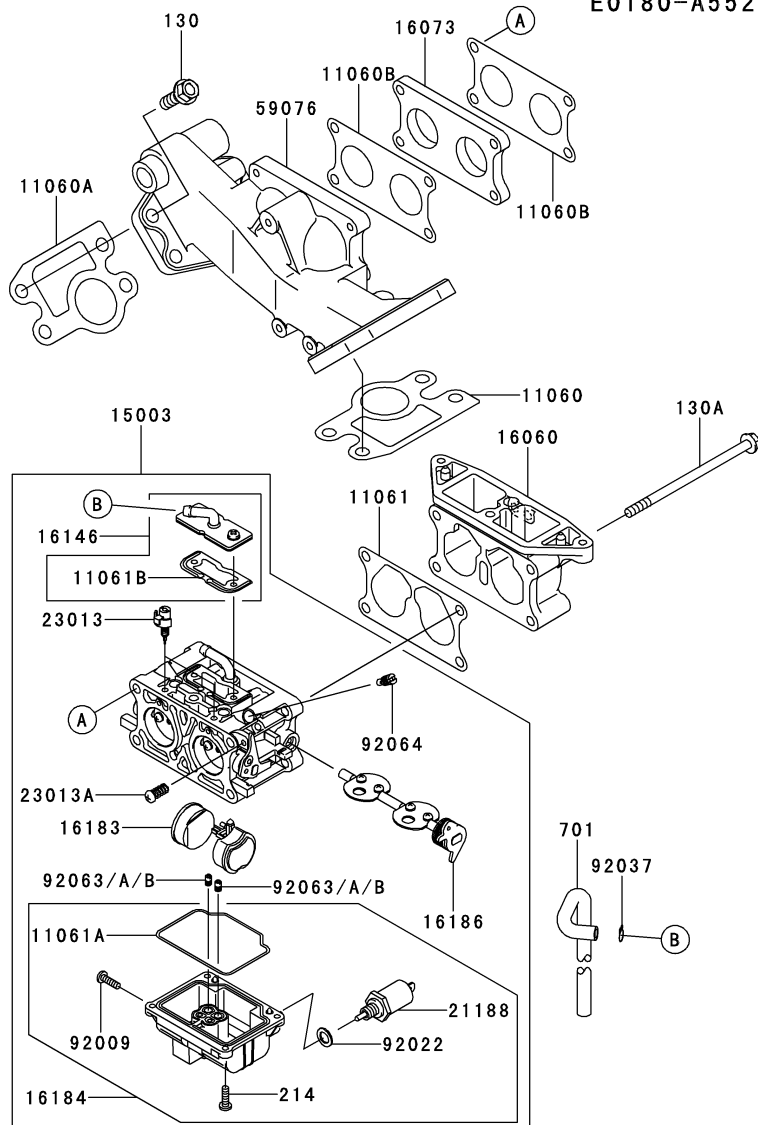
GRID NO.

C-03

This grid covers:

CARBURETOR

E0180-A552F



Ref. No.	Part No.	Description	Quantity				
			C	D	E	F	G
11060	11060-2468	GASKET,INTAKE MANIFOLD	1	1	1	1	1
11060A	11060-2469	GASKET,INTAKE MANIFOLD	1	1	1	1	1
11060B	11060-2471	GASKET,INTAKE PIPE	2	2	2	2	2
11061	11061-2075	GASKET,PIPE-INTAKE	1	1	1	1	1
11061A	11061-2090	GASKET,CHAMBER	1	1	1	1	1
11061B	11061-2091	GASKET,COVER	1	1	1	1	1
15003	15003-2989	CARBURETOR-ASSY	1	1	1	1	1
16060	16060-2194	PIPE-INTAKE	1	1	1	1	1
16073	16073-2206	INSULATOR	1	1	1	1	1
16146	16146-2227	COVER-ASSY	1	1	1	1	1
16183	16183-2006	FLOAT-ASSY	1	1	1	1	1
16184	16184-2007	CHAMBER-ASSY-FLOAT	1	1	1	1	1
16186	16186-2036	VALVE-ASSY-CHOKE	1	1	1	1	1
21188	21188-2011	SOLENOID	1	1	1	1	1
23013	23013-2063	SCREW-ASSY	1	1	1	1	1
23013A	23013-2064	SCREW-ASSY	1	1	1	1	1
59076	59076-2065	MANIFOLD-INTAKE	1	1	1	1	1
92009	92009-2015	SCREW	1	1	1	1	1
92022	92022-2231	WASHER	1	1	1	1	1
92037	92037-1610	CLAMP	1	1	1	1	1
92063	92063-2347	JET-MAIN,#97.5,6560FT	AR	AR	AR	AR	AR
92063A	92063-2396	JET-MAIN,#100,3280FT	AR	AR	AR	AR	AR
92063B	92063-2397	JET-MAIN,#102.5	2	2	2	2	2
92064	92064-2103	JET-PILOT,#43.8	2	2	2	2	2
130	130BA0825	BOLT-FLANGED,8X25	8	8	8	8	8
130A	130CA06110	BOLT-FLANGED,6X110	4	4	4	4	4
214	214AA0414	SCREW-PAN+,4X14	4	4	4	4	4
701	701Q061000	TUBE-PVC	1	1	1	1	1

This catalog covers:

FD750D- □ S02

GRID NO.

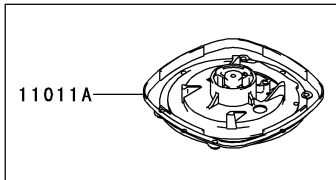
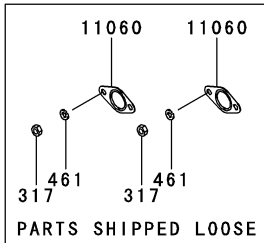
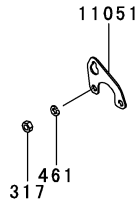
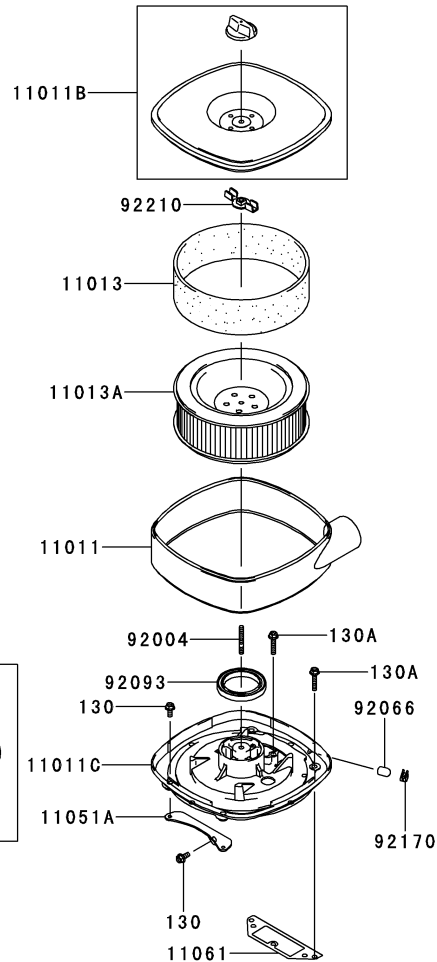
C-04

This grid covers:

AIR-FILTER/MUFFLER

E0190-B269A

Ref. No.	Part No.	Description	Quantity				
			C	D	E	F	G
11011	11011-2314	CASE-AIR FILTER,BODY	1	1	1	1	1
11011A	11011-2333	CASE-AIR FILTER,LOWER	1	1	1		
11011B	11011-2358	CASE-AIR FILTER,UPPER	1	1	1	1	1
11011C	11011-2391	CASE-AIR FILTER				1	1
11013	11013-2199	ELEMENT-AIR FILTER	1	1	1	1	1
11013A	11013-2213	ELEMENT-AIR FILTER	1	1	1	1	1
11051	11051-2088	BRACKET	1	1	1	1	1
11051A	11051-2089	BRACKET,AIR FILTER	1	1	1	1	1
11060	11060-2467	GASKET,MUFFLER	2	2	2	2	2
11061	11061-2085	GASKET	1	1	1	1	1
92004	92004-2152	STUD,6X30	1	1	1	1	1
92066	92066-2096	PLUG				1	1
92093	92093-2123	SEAL	1	1	1	1	1
92170	92170-2043	CLAMP				1	1
92210	92210-2079	NUT,M6	1	1	1	1	1
130	130BA0614	BOLT-FLANGED,6X14	3	3	3	3	3
130A	130BA0630	BOLT-FLANGED,6X30	3	3	3	3	3
317	317R0800	NUT-HEX-SMALL,8MM	5	5	5	5	5
461	461DA0800	WASHER-SPRING,8MM	5	5	5	5	5



This catalog covers:

FD750D- □ S02

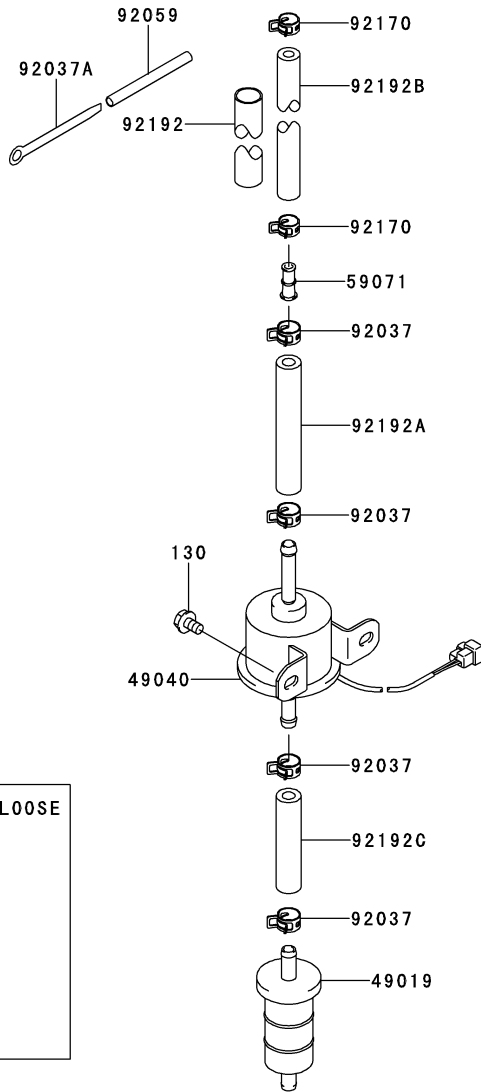
GRID NO.

C-05

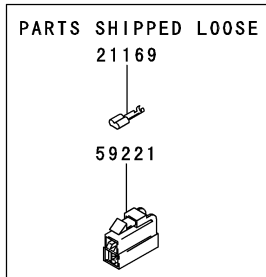
This grid covers:

FUEL-TANK/FUEL-VALVE

E0200-A565A



Ref. No.	Part No.	Description	Quantity				
			C	D	E	F	G
21169	21169-2055	TERMINAL	2	2	2	2	2
49019	49019-1055	FILTER-FUEL	1	1	1	1	1
49040	49040-2065	PUMP-FUEL	1	1	1	1	1
59071	59071-2119	JOINT	1	1	1	1	1
59221	59221-2156	CONNECTOR-CORD	1	1	1	1	1
92037	92037-1181	CLAMP,HOSE CLIP	4	4	4	4	4
92037A	92037-2006	CLAMP	1	1	1	1	1
92059	92059-2011	TUBE,5X6X75	1	1	1	1	1
92170	92170-2009	CLAMP	2	2	2	2	2
92192	92192-2102	TUBE,L=160	1	1	1	1	1
92192A	92192-2115	TUBE,7.5X14.5X90	1	1	1	1	1
92192B	92192-2116	TUBE,6.2X13.2X285	1	1	1	1	1
92192C	92192-2126	TUBE,7.5X14.5X65	1	1	1	1	1
130	130BA0610	BOLT-FLANGED,6X10	2	2	2	2	2



This catalog covers:

FD750D- □ S02

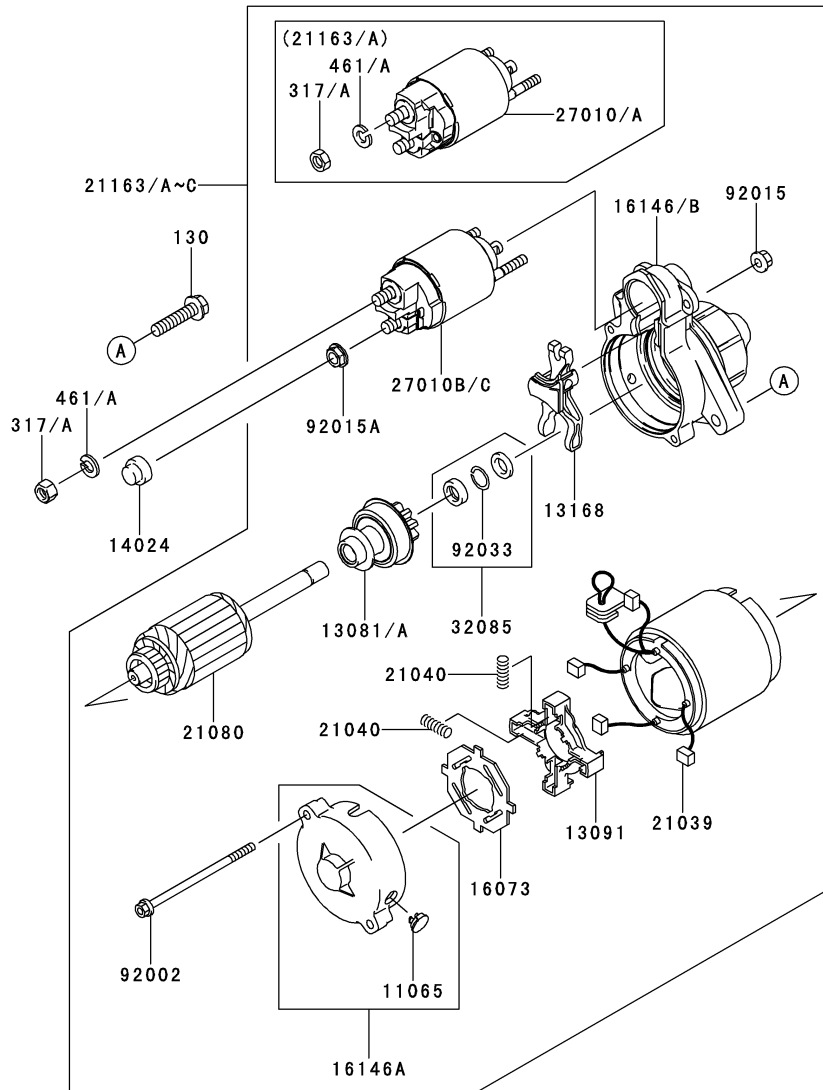
GRID NO.

C-06

This grid covers:

STARTER

E0210-A553A



Ref. No.	Part No.	Description	Quantity				
			C	D	E	F	G
11065	11065-2118	CAP	1	1	1	1	1
13081	13081-2085	CLUTCH-ASSY		1	1	1	1
13081A	13081-2108	CLUTCH-ASSY	1				
13091	13091-2068	HOLDER,BRUSH	1	1	1	1	1
13168	13168-2131	LEVER,SHIFT	1	1	1	1	1
14024	14024-2205	COVER	1	1	1	1	1
16073	16073-2098	INSULATOR	1	1	1	1	1
16146	16146-2225	COVER-ASSY	1				
16146A	16146-2235	COVER-ASSY	1	1	1	1	1
16146B	16146-2239	COVER-ASSY		1	1	1	1
21039	21039-2059	BRUSH	4	4	4	4	4
21040	21040-2052	SPRING-BRUSH	4	4	4	4	4
21080	21080-2054	ARMATURE	1	1	1	1	1
21163	21163-2120	STARTER-ELECTRIC	1				
21163A	21163-2130	STARTER-ELECTRIC		*	*		
21163B	21163-2151	STARTER-ELECTRIC				1	1
21163C	21163-2151	STARTER-ELECTRIC		1	1		
27010	27010-2122	SWITCH	1				
27010A	27010-2122	SWITCH		*	*		
27010B	27010-7005	SWITCH				1	1
27010C	27010-7005	SWITCH		1	1		
32085	32085-2097	STOPPER	1	1	1	1	1
92002	92002-2277	BOLT	2	2	2	2	2
92015	92015-2146	NUT	2	2	2	2	2
92015A	92015-2147	NUT	1	1	1	1	1
92033	92033-2081	RING-SNAP	1	1	1	1	1
130	130BA0835	BOLT-FLANGED,8X35	2	2	2	2	2
317	317AA0800	NUT-HEX-SMALL,8MM	2	1	1	1	1
317A	317AA0800	NUT-HEX-SMALL,8MM		*	*		
461	461DA0800	WASHER-SPRING,8MM	2	1	1	1	1
461A	461DA0800	WASHER-SPRING,8MM		*	*		

This catalog covers:

FD750D- S02

GRID NO.

D-03

This grid covers:

LABEL

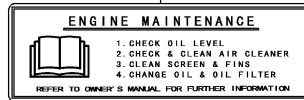
F0290-B450C

Ref. No.	Part No.	Description	Quantity				
			C	D	E	F	G
56033	56033-2078	LABEL-MANUAL	1	1	1	1	1
56070	56070-2066	LABEL-WARNING	1	1	1	1	1
56071	56071-2004	LABEL-WARNING			1	1	1
56071A	56071-2004	LABEL-WARNING		1			
56080	56080-2249	LABEL-BRAND	1	1	1	1	1

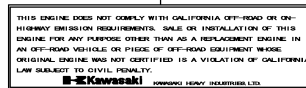
56070



56033



56071/A



56080



This catalog covers:

FD750D- S02

GRID NO.

H-09

This grid covers:

PART NAME INDEX

AIR-FILTER/MUFFLER.....	C-04
CARBURETOR.....	C-03
CONTROL-EQUIPMENT.....	B-11
COOLING-EQUIPMENT.....	B-08
COOLING-EQUIPMENT.....	B-09
CYLINDER/CRANKCASE.....	B-03
CYLINDER/CRANKCASE.....	B-04
ELECTRIC-EQUIPMENT.....	B-10
FUEL-TANK/FUEL-VALVE.....	C-05
LABEL.....	D-03
LUBRICATION-EQUIPMENT.....	B-07
PISTON/CRANKSHAFT.....	B-05
STARTER.....	C-06
VALVE/CAMSHAFT.....	B-06

This catalog covers:

FD750D- S02

GRID NO.

H-10

This grid covers:

NUMERICAL PARTS INDEX

Part No.	Grid No.	Part No.	Grid No.	Part No.	Grid No.	Part No.	Grid No.	Part No.	Grid No.
11004-2142.....	B-03	130AB0812.....	B-09	16154-1076.....	B-07	411AA0600.....	B-11	701Q061000.....	C-03
11008-2145.....	B-03	130BA0520.....	B-10	16154-1079.....	B-07	42036-2060.....	B-11	92002-2263.....	B-05
11008-2146.....	B-03	130BA0610.....	C-05	16160-2139.....	B-08	43078-2055.....	B-08	92002-2269.....	B-11
11009-2566.....	B-07	130BA0614.....	B-11	16160-6001.....	B-08	461DA0800.....	B-09	92002-2277.....	C-06
11009-2766.....	B-10	130BA0614.....	C-04	16169-2142.....	B-11	461DA0800.....	C-04	92004-2152.....	C-04
11009-3028.....	B-08	130BA0616.....	B-07	16171-2091.....	B-11	461DA0800.....	C-06	92009-2015.....	C-03
11011-2314.....	C-04	130BA0616.....	B-09	16183-2006.....	C-03	461DA0800.....	C-06	92009-2273.....	B-10
11011-2333.....	C-04	130BA0620.....	B-10	16184-2007.....	C-03	481J2800.....	B-09	92009-2308.....	B-03
11011-2358.....	C-04	130BA0625.....	B-07	16186-2036.....	C-03	482J7000.....	B-11	92009-2381.....	B-11
11011-2391.....	C-04	130BA0625.....	B-09	172BA0822.....	B-04	49015-6232.....	B-03	92009-2460.....	B-08
11012-1084.....	B-08	130BA0630.....	B-04	21039-2059.....	C-06	49015-6232.....	B-03	92015-2051.....	B-11
11013-2199.....	C-04	130BA0630.....	C-04	21040-2052.....	C-06	49015-6292.....	B-03	92015-2146.....	C-06
11013-2213.....	C-04	130BA0635.....	B-09	21066-2070.....	B-10	49015-6292.....	B-03	92015-2147.....	C-06
11022-2072.....	B-03	130BA0812.....	B-10	21080-2054.....	C-06	49019-1055.....	C-05	92022-2194.....	B-05
11022-2073.....	B-03	130BA0816.....	B-09	21121-2090.....	B-10	49040-2065.....	C-05	92022-2231.....	C-03
11051-2088.....	C-04	130BA0820.....	B-09	21121-2091.....	B-10	49044-2067.....	B-08	92022-2372.....	B-11
11051-2089.....	C-04	130BA0825.....	B-10	21163-2120.....	C-06	49054-2058.....	B-08	92026-2311.....	B-08
11051-2092.....	B-06	130BA0825.....	B-10	21163-2130.....	C-06	49063-1056.....	B-08	92027-1461.....	B-11
11051-2103.....	B-08	130BA0825.....	C-03	21163-2151.....	C-06	49065-2071.....	B-07	92027-1568.....	B-08
11051-2104.....	B-08	130BA0830.....	B-04	21163-2151.....	C-06	49065-2082.....	B-07	92027-1568.....	B-10
11051-2113.....	B-11	130BA0830.....	B-09	21169-2055.....	C-05	49078-2060.....	B-06	92033-2081.....	C-06
11053-2109-9H.....	B-08	130BA0835.....	B-09	21187-2076.....	B-11	49085-2052.....	B-08	92036-008.....	B-05
11053-2110-9H.....	B-08	130BA0835.....	C-06	21188-2011.....	C-03	49110-2094.....	B-11	92037-1181.....	C-05
11060-2466.....	B-03	130BA0845.....	B-04	21193-2187.....	B-10	49113-2170.....	B-11	92037-1610.....	C-03
11060-2467.....	C-04	130BA0845.....	B-09	214AA0414.....	C-03	49118-2138.....	B-06	92037-2001.....	B-08
11060-2468.....	C-03	130BA0860.....	B-04	214AA0510.....	B-10	49119-2226.....	B-05	92037-2006.....	B-10
11060-2469.....	C-03	130BA0860.....	B-09	23013-2063.....	C-03	49119-2246.....	B-05	92037-2006.....	C-05
11060-2470.....	B-03	130BA0880.....	B-09	23013-2064.....	C-03	49120-6134.....	B-03	92037-2089.....	B-08
11060-2471.....	C-03	130CA06110.....	C-03	241AA0406.....	B-10	49120-6134.....	B-03	92037-2209.....	B-11
11060-2475.....	B-08	130G0825.....	B-10	26030-2306.....	B-10	49120-6180.....	B-03	92037-2210.....	B-09
11061-2075.....	C-03	13107-2097.....	B-08	27010-2122.....	C-06	49120-6180.....	B-03	92038-2101.....	B-05
11061-2085.....	C-04	13107-2246.....	B-08	27010-2122.....	C-06	510A5100.....	B-05	92042-014.....	B-07
11061-2090.....	C-03	13107-2281.....	B-07	27010-2182.....	B-10	510A5100.....	B-10	92043-1037.....	B-03
11061-2091.....	C-03	13116-2074.....	B-06	27010-2234.....	B-10	52005-2132.....	B-07	92043-2237.....	B-09
11065-2118.....	C-06	13168-2131.....	C-06	27010-7005.....	C-06	551A0314.....	B-09	92045-2191.....	B-09
12004-2113.....	B-06	13168-2466.....	B-11	27010-7005.....	C-06	56033-2078.....	D-03	92049-2100.....	B-06
12005-2100.....	B-06	13168-2467.....	B-11	311AA0600.....	B-06	56070-2066.....	D-03	92049-2111.....	B-09
12009-2060.....	B-06	13251-2058.....	B-05	311AA0600.....	B-11	56071-2004.....	D-03	92049-2242.....	B-03
12011-2052.....	B-06	13251-2084.....	B-05	312B0500.....	B-11	56071-2004.....	D-03	92049-2243.....	B-03
12016-2066.....	B-06	13271-2105.....	B-03	315AA1000.....	B-09	56080-2249.....	D-03	92049-2255.....	B-03
12032-2060.....	B-06	13280-2061.....	B-07	317AA0800.....	C-06	59011-2056.....	B-08	92059-2011.....	B-10
13001-2125.....	B-05	13304-6010.....	B-08	317AA0800.....	C-06	59031-2123.....	B-10	92059-2011.....	C-05
13001-2125.....	B-05	14024-2205.....	C-06	317R0800.....	C-04	59041-2092.....	B-08	92063-2347.....	C-03
13001-2178.....	B-05	14037-2142.....	B-08	32085-2097.....	C-06	59051-2354.....	B-07	92063-2396.....	C-03
13001-2178.....	B-05	14083-2055.....	B-10	32153-2076-9H.....	B-07	59051-2355.....	B-08	92063-2397.....	C-03
13002-2069.....	B-05	14091-2064.....	B-03	39003-2091.....	B-11	59051-2358.....	B-05	92064-2103.....	C-03
13008-6007.....	B-05	14091-2065.....	B-07	39003-2091.....	B-11	59071-2079.....	B-03	92066-2096.....	C-04
13025-2074.....	B-05	15003-2989.....	C-03	39003-2103.....	B-11	59071-2119.....	C-05	92066-2099.....	B-07
13029-2101.....	B-05	16007-2052.....	B-06	39003-2103.....	B-11	59076-2065.....	C-03	92070-2110.....	B-10
13029-2101.....	B-05	16060-2194.....	C-03	39061-2065.....	B-08	59091-2054.....	B-08	92093-2114.....	B-09
13029-2128.....	B-05	16073-2098.....	C-06	39062-2086.....	B-08	59091-2055-9H.....	B-08	92093-2123.....	C-04
13029-2128.....	B-05	16073-2206.....	C-03	39062-2097.....	B-08	59221-2156.....	C-05	92104-2068.....	B-03
13070-2106.....	B-08	16115-2126.....	B-07	39062-2098.....	B-08	59226-2328.....	B-11	92104-2068.....	B-09
13081-2085.....	C-06	16126-2225.....	B-03	39062-2099.....	B-08	59256-2069.....	B-08	92141-2118.....	B-03
13081-2108.....	C-06	16142-2077.....	B-08	39062-2100.....	B-08	59336-2078.....	B-08	92141-2118.....	B-03
13091-2068.....	C-06	16146-2225.....	C-06	39062-2101.....	B-08	600A1300.....	B-07	92141-2119.....	B-03
130AA0520.....	B-10	16146-2227.....	C-03	39129-2099.....	B-11	670B1507.....	B-09	92141-2119.....	B-03
130AA0520.....	B-10	16146-2235.....	C-06	410AA1000.....	B-09	670B2010.....	B-07	92141-2123.....	B-03
130AA0630.....	B-11	16146-2239.....	C-06	410B0800.....	B-04	670B2011.....	B-04	92141-2123.....	B-03
130AB0608.....	B-10	16154-1075.....	B-07	410B0800.....	B-04	670B3025.....	B-07	92141-2124.....	B-03

